

Gasoline containing up to 10% ethanol (E10) is acceptable for use in this machine. The use of any gasoline exceeding 10% ethanol (E10) will void the product warranty.

Parts Manual

RZ5424 / 966659301



Please read the operator's manual carefully and make sure you understand the instructions before using the machine.

When you need spare parts or support in service questions, warranty issues, etc., please consult the following professional:

This Parts Manual belongs to the machine with the manufacturing number:	Engine	Transmission

Manufacturing Number

The machine's manufacturing number can be found on the printed plate affixed to the engine compartment.

Stated on the plate, from the top are:

- The machine's type designation (I.D.).
- The manufacturer's type number (Model).
- The machine's serial number (Serial no.)

Please have the type designation and serial number available when ordering spare parts.

The engine's manufacturing number is stamped on one of the valve covers.

The plate states:

- The engine's model.
- The engine's type.
- Code

Please have these available when ordering spare parts.

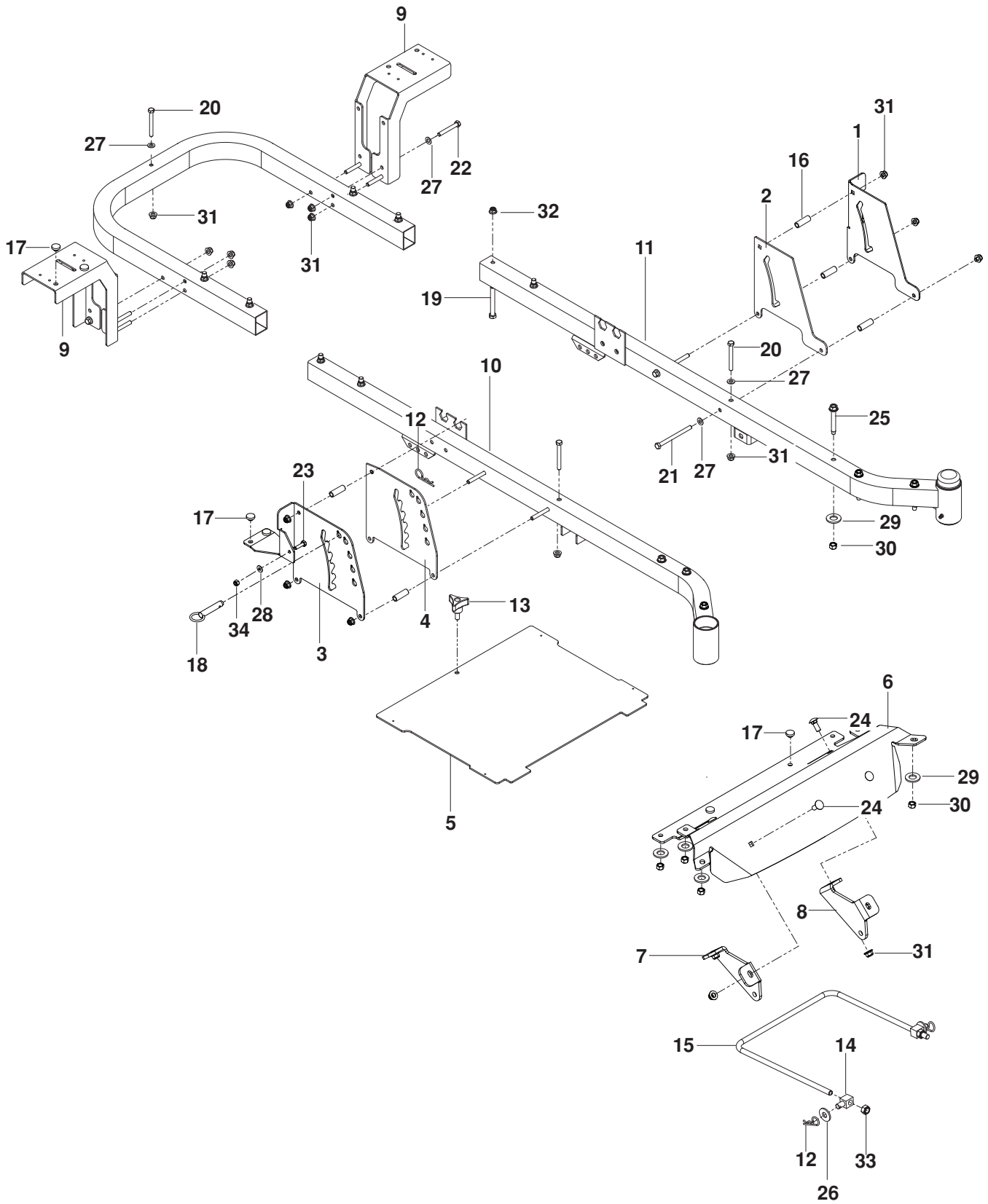
The wheel motors and hydrostatic pumps have a barcode decal affixed at the rear.

CONTENTS

FRAME.....	4
ENGINE PLATE.....	6
STEERING	8
IGNITION.....	10
BRAKE / LIFT	12
HYDRAULIC PUMP / MOTOR	14
WHEELS AND TIRES.....	16
MOWER DECK / CUTTING DECK.....	18
SEAT	20
DECALS.....	22

NOTE: ALL FASTENERS ARE GRADE 5 UNLESS OTHERWISE SPECIFIED.

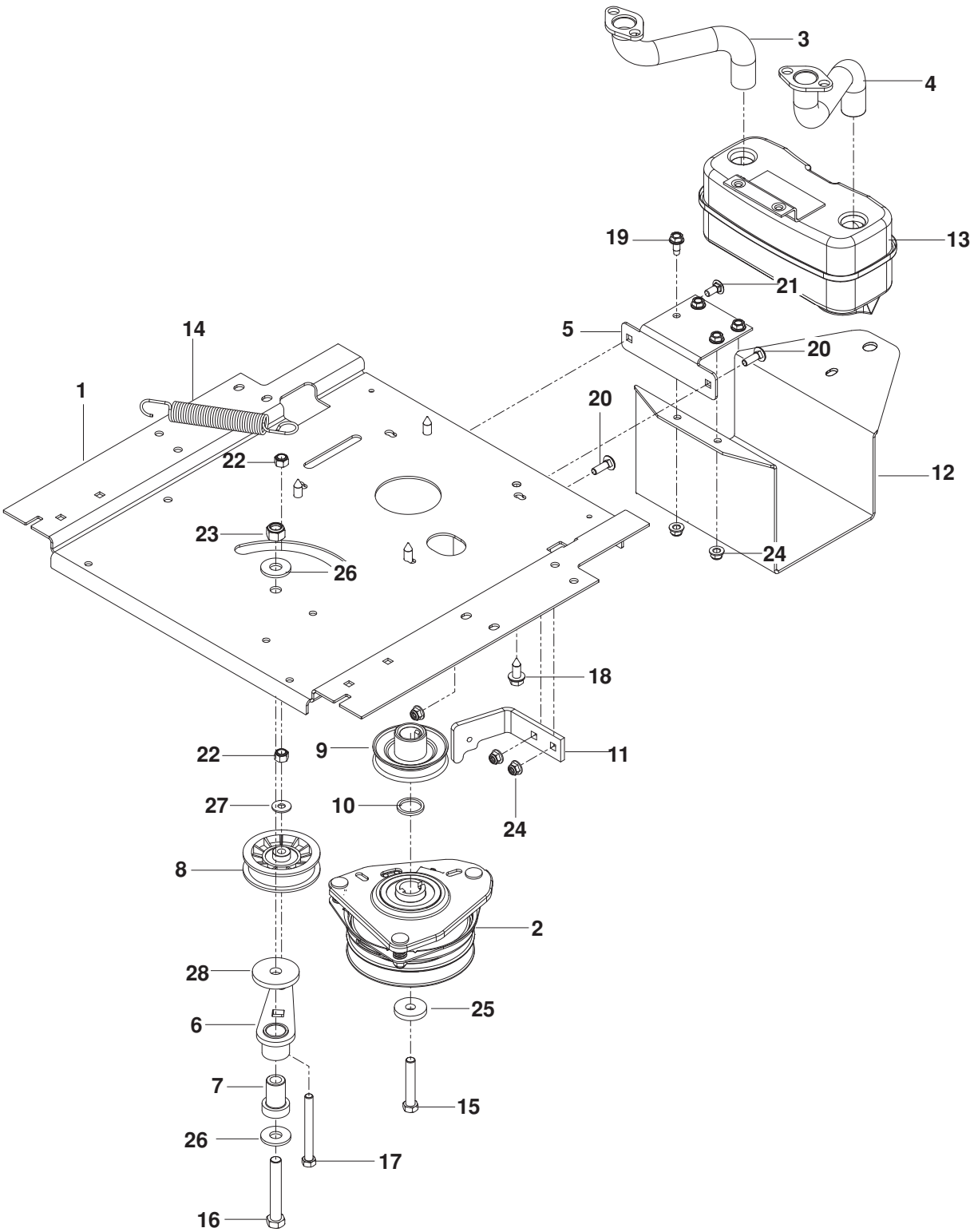
FRAME



FRAME

ITEM	PART NO.	QTY.	DESCRIPTION	ITEM	PART NO.	QTY.	DESCRIPTION
1..	510 261802....	1....	PLATE, OUTER BRAKE BLK	18..	539 102526....	1....	LIFT PIN
2..	510 206703....	1....	PLATE, BRAKE LATCH BLK	19..	539 101341....	8....	HCS 3/8-16 x 3
3..	510 245604....	1....	PLATE, LIFT OUTER BLK	20..	539 101721....	3....	HCS 5/16-18 x 2 3/4
4..	510 240502....	1....	PLATE, LIFT INNER BLK	21..	539 102335....	4....	HCS 5/16-18 x 4
5..	522 842902....	1....	FOOT PLATE w/DECALS	22..	539 976938....	6....	HCS 5/16-18 x 2 1/4
6..	522 719504....	1....	FOOT REST ORG	23..	539 977761....	2....	HCS 1/4-20 x 1
7..	522 443302....	1....	MOUNT, STRUT RT BLK	24..	539 990645....	4....	RHSNB 3/8-16 x 1
8..	522 443304....	1....	MOUNT, STRUT LT BLK	25..	539 111976....	6....	BOLT 3/8-16 x 2 5/8 THD FRM
9..	510 225902....	2....	SUPPORT, FENDER BLK	26..	539 109554....	2....	WASHER 1/2 FLT
10..	510 177503....	1....	FRAME, FRONT RT ORG	27..	539 990188..	13....	WASHER 5/16 SAE FLT
11..	510 177403....	1....	FRAME, FRONT LT ORG	28..	539 990055....	2....	WASHER 1/4 FLT
12..	539 976989....	3....	HAIRPIN	29..	539 990517....	6....	WASHER 3/8 STD FLT
13..	539 104411....	1....	KNOB w/ STUD	30..	539 200282....	6....	NUT 3/8-16 HEX JAM NYLOC
14..	539 114789....	2....	SWIVEL	31..	539 112899..	15....	NUT 5/16-18 HEX FLG NYLOC
15..	521 938101....	1....	LINK, FRONT SUSPENSION	32..	521 996501....	8....	NUT 3/8-16 HEX FLG NYLOC
16..	515 988101....	6....	SPACER 1/2 OD x 1 1/2	33..	539 119124....	2....	NUT 7/16-14 HEX NYLOC
17..	539 102587....	6....	GROMMET, BUMPER	34..	539 976978....	2....	NUT 1/4-20 HEX NYLOC

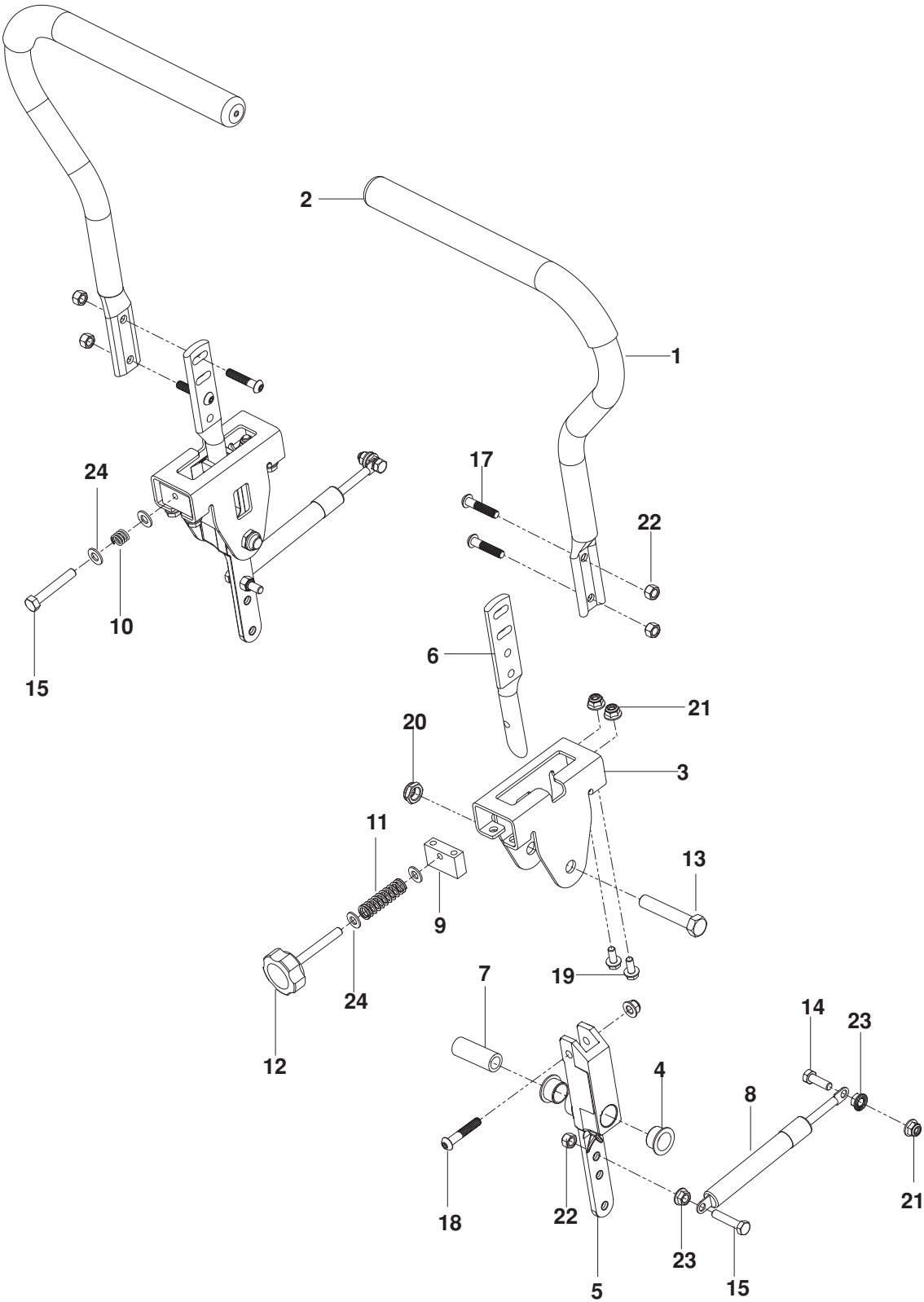
ENGINE PLATE



ENGINE PLATE

ITEM	PART NO.	QTY.	DESCRIPTION	ITEM	PART NO.	QTY.	DESCRIPTION
1..	575 327002....	1....	PLATE, ENGINE BLK	17..	539 109389....	1....	HCS $\frac{3}{8}$ -16 x 3 $\frac{1}{2}$
2..	532 400008....	1....	CLUTCH	18..	532 120616....	4....	HHFS $\frac{3}{8}$ -16 x 1 THD FRM
3..	532 146700....	1....	TUBE, EXHAUST RT	19..	539 107475....	4....	BOLT $\frac{5}{16}$ -18 x $\frac{3}{4}$ THD FRM
4..	532 146699....	1....	TUBE, EXHAUST LT	20..	539 990208....	2....	RHSNB $\frac{5}{16}$ -18 x 1
5..	510 260402....	1....	BRACKET, MUFFLER BLK	21..	539 990316....	2....	RHSNB $\frac{5}{16}$ -18 x $\frac{3}{4}$
6..	539 112092....	1....	ARM, IDLER	22..	539 976979....	2....	NUT $\frac{3}{8}$ -16 HEX NYLOC
7..	539 101231....	1....	SPINDLE, IDLER	23..	539 101331....	1....	NUT $\frac{1}{2}$ -13 HEX NYLOC
8..	539 110311....	1....	PULLEY, IDLER	24..	539 112899....	5....	NUT $\frac{5}{16}$ -18 HEX FLG NYLOC
9..	539 114530....	1....	PULLEY, ENGINE	25..	539 110064....	1....	WASHER, CLUTCH
10..	539 115326....	1....	SPACER	26..	539 109554....	2....	WASHER $\frac{1}{2}$ FLT
11..	522 442506....	1....	STOP, CLUTCH BLK	27..	539 990692....	2....	WASHER $\frac{5}{16}$ STD FLT
12..	510 260502....	1....	GUARD, MUFFLER BLK	28..	539 112670....	1....	WASHER, HEAVY
13..	539 131604....	1....	MUFFLER ASSY				NOT SHOWN
14..	532 196105....	1....	SPRING, DECK DRIVE		532 198316 ...	1....	PIGTAIL
15..	576 968001....	1....	HCS $\frac{7}{16}$ -20 x 2 $\frac{1}{2}$				
16..	539 103433....	1....	HCS $\frac{1}{2}$ -13 x 3 $\frac{1}{4}$				

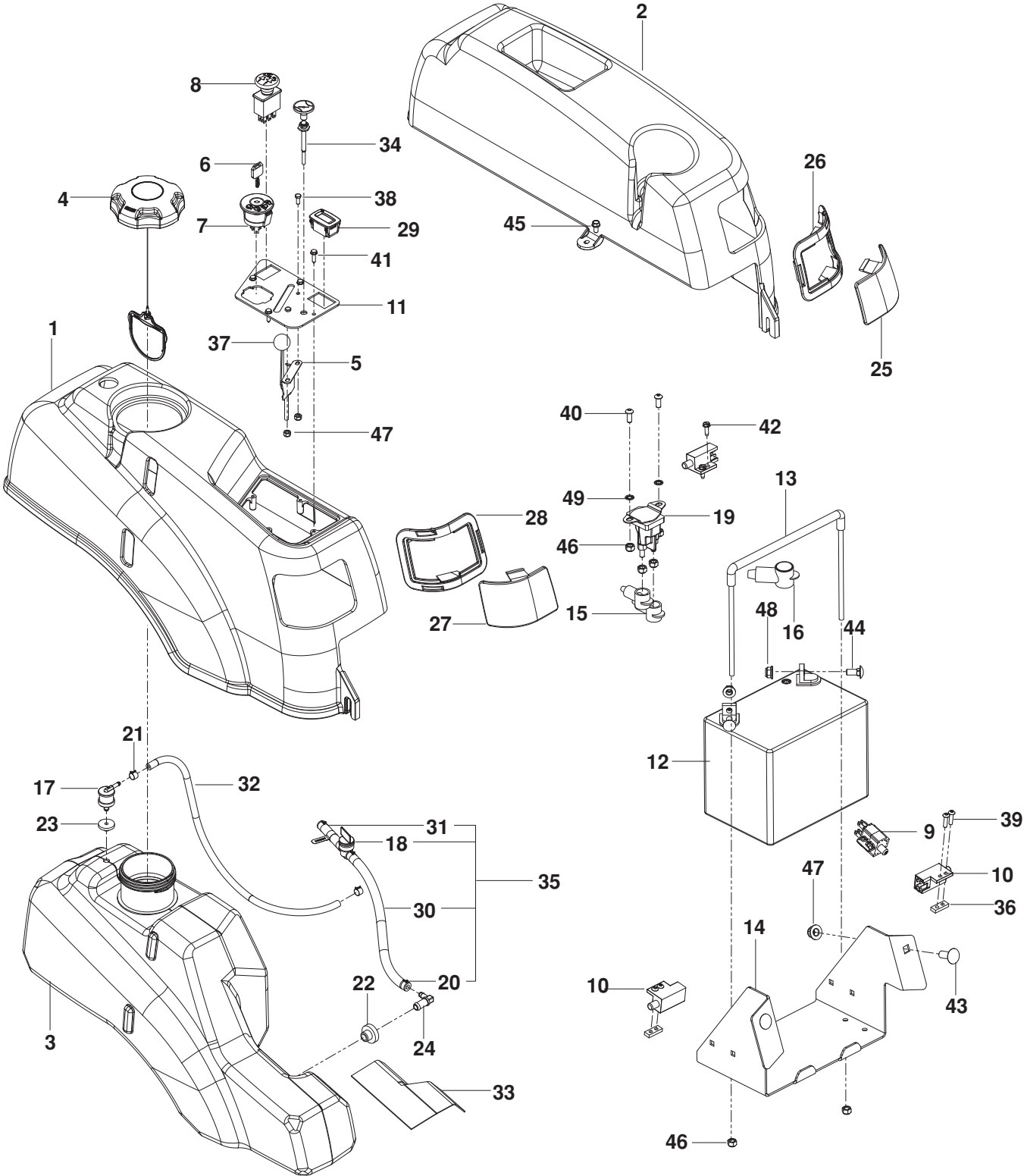
STEERING



STEERING

ITEM	PART NO.	QTY.	DESCRIPTION	ITEM	PART NO.	QTY.	DESCRIPTION
1..	579 036901....	2....	LEVER w/ GRIP	13..	539 101332....	2....	HCS 1/2-13 x 2 3/4
2..	525 392901....	2....	GRIP, FOAM	14..	539 990209....	2....	HCS 5/16-18 x 1
3..	577 251701....	2....	BRACKET, CONTROL	15..	539 101469....	2....	HCS 5/16-18 x 1 1/4
4..	539 131518....	4....	BEARING, FLANGE	16..	539 101469....	2....	HCS 5/16-18 x 1 1/4
5..	576 140301....	2....	LEVER, CONTROL	17..	578 296401....	4....	SCREW 5/16-18 X 1 BTN HD
6..	577 420001....	2....	LEVER, HANDLE	18..	576 850402....	2....	SCREW 5/16-18 X 1 3/4 BTN HD
7..	577 252401....	2....	SPACER, PIVOT CONTROL	19..	525 464701....	8....	HHFS 5/16-18 X 3/4
8..	539 102720....	2....	DAMPENER	20..	539 108010....	2....	NUT 1/2-13 HEX JAM NYL GR2
9..	577 251801 ...	2....	BLOCK, TRACKING	21..	539 112899..	10....	NUT 5/16-18 HEX FLG NYLOC
10..	539 102845....	1....	SPRING	22..	539 990717....	6....	NUT 5/16-18 HEX NYLOC
11..	576 850301....	1....	SPRING	23..	539 990585....	4....	NUT 5/16-18 HEX WHIZLK
12..	539 131799....	1....	KNOB	24..	539 990188....	4....	WASHER 5/16 SAE FLT

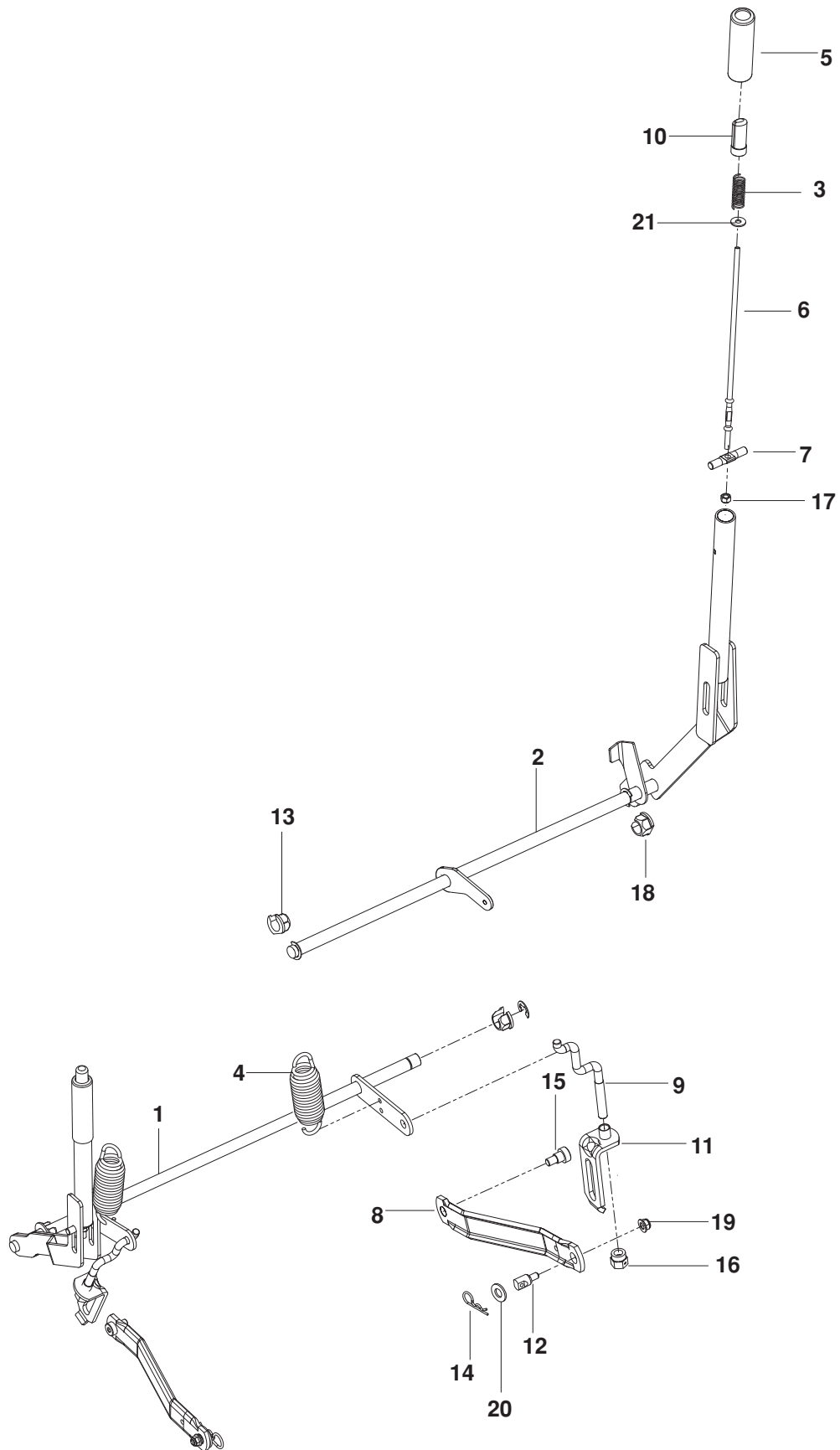
IGNITION



IGNITION

ITEM	PART NO.	QTY.	DESCRIPTION	ITEM	PART NO.	QTY.	DESCRIPTION
1..	578 178901....	1....	FENDER, RT GRY	29..	576 179401....	1....	HOUR METER
2..	539 130374....	1....	FENDER, LT GRY	30..	539 932956....	1....	FUEL LINE 10"
3..	578 178601....	1....	TANK, FUEL	31..	505 215101....	1....	FUEL LINE 2½"
4..	575 018101....	1....	CAP, FUEL w/ TETHER	32..	576 660605....	1....	FUEL LINE 15"
5..	539 102732....	1....	CABLE, THROTTLE	33..	522 559101....	1....	SHIELD, HEAT
6..	539 107544....	1....	KEY, IGNITION	34..	539 102733....	1....	CONTROL, CHOKE
7..	539 107541....	1....	SWITCH, IGNITION	35..	576 660701....	1....	FUEL LINE ASSY
8..	539 174652....	1....	SWITCH, CLUTCH	36..	539 102678....	2....	PLATE, TAPPED
9..	539 113792....	1....	SWITCH, BRAKE	37..	539 133049....	1....	KNOB
10..	539 101080....	3....	SWITCH, NC	38..	539 990411....	2....	SCREW 10-24 x ½ HEX HD
11..	539 112736....	1....	PANEL, CONTROL	39..	574 822701....	4....	SCREW 10-24 x ¾ SKT HD
12..	539 102436....	1....	BATTERY	40..	539 111229....	2....	SCREW ¼-20 x ⅝ BTN SKT
13..	539 131209....	1....	TIE DOWN, BATTERY	41..	539 110673....	2....	SCREW 10-24 x ¾ WSH HD
14..	510 231302....	1....	BOX, BATTERY BLK	42..	539 991034....	2....	SCREW 10-24 x ⅝ WSH HD
15..	539 116400....	3....	TERMINAL COVER	43..	539 990645....	2....	RHSNB ⅜-16 x 1
16..	539 102759....	1....	INSULATOR	44..	539 990316....	2....	RHSNB ⅝/16-18 x ¾
17..	576 618101....	1....	VALVE, FUEL CHECK	45..	539 108461....	2....	BOLT ¼-20 x ½
18..	539 916325....	1....	VALVE, FUEL	46..	539 976978....	6....	NUT ¼-20 HEX NYLOC
19..	539 101714....	1....	SOLENOID	47..	539 976977....	2....	NUT 10-24 HEX NYLOC
20..	539 912222....	4....	CLAMP, HOSE	48..	539 112899....	2....	NUT ⅝/16-18 HEX FLG NYLOC
21..	575 436501....	2....	CLAMP, HOSE	49..	539 990053....	2....	WASHER ¼ ITLW
22..	539 105245....	1....	GROMMET, RUBBER	NOT SHOWN			
23..	576 618201....	1....	GROMMET, CHECK VALVE	539 103306 ...	2....	POSITIVE CABLE, LONG	
24..	539 110432....	1....	ELBOW	539 110068 ...	1....	BATTERY CABLE NEGATIVE	
25..	539 110056....	1....	LENS, LT	515 980501 ...	1....	HARNESS, WIRING	
26..	539 110455....	1....	RIM, LT	505 280001 ...	4....	TIE, WIRE	
27..	539 110057....	1....	LENS, RT				
28..	539 110451....	1....	RIM, RT				

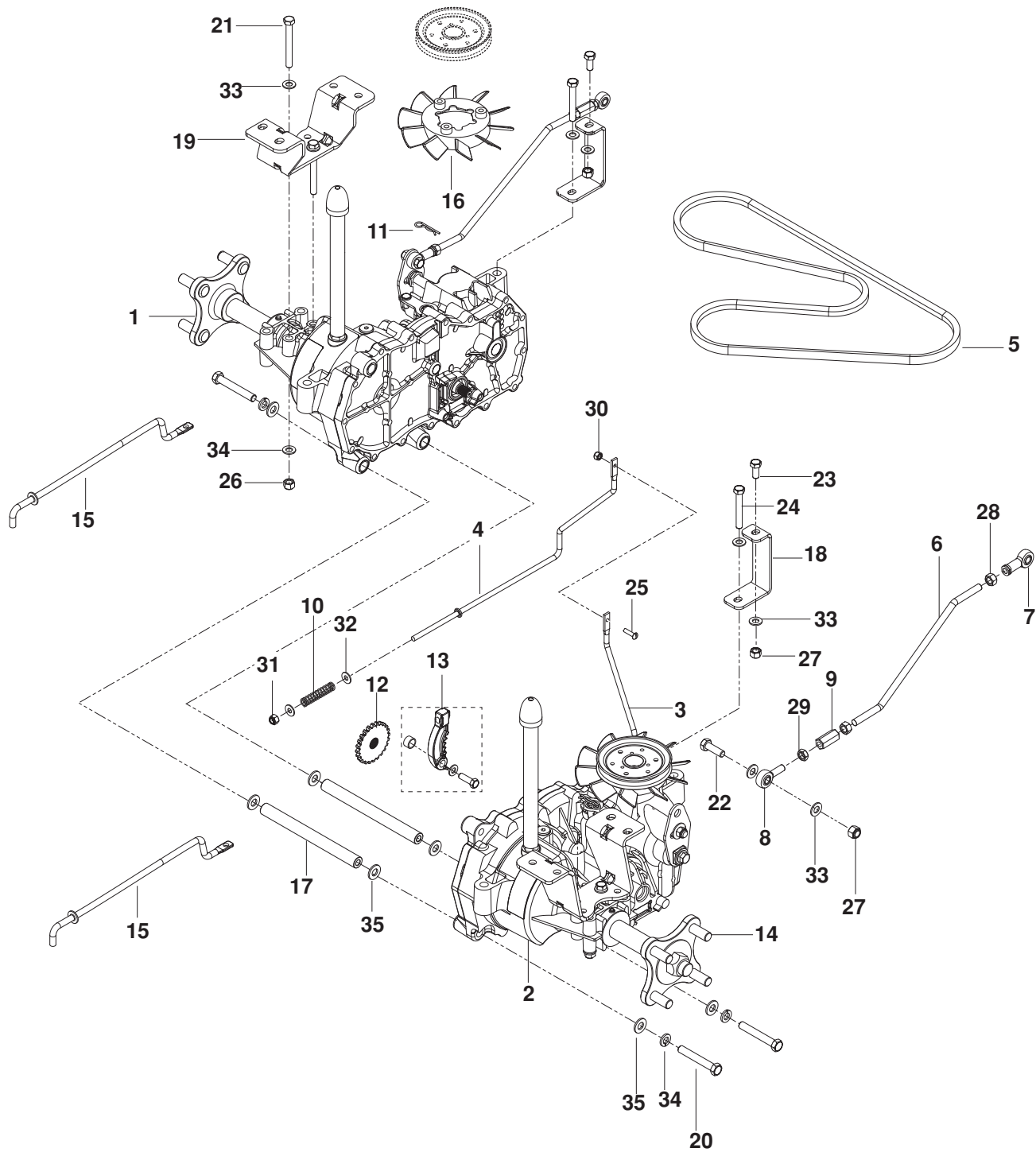
BRAKE / LIFT



BRAKE / LIFT

ITEM	PART NO.	QTY.	DESCRIPTION	ITEM	PART NO.	QTY.	DESCRIPTION
1..	574 216604....	2....	ARM, LIFTING BLK	12..	532 195161....	2....	STUD w/ ANTI-ROTATE
2..	522 710804....	1....	SHAFT, BRAKE BLK	13..	539 105069....	3....	E-RING
3..	510 030701....	2....	SPRING, COMPRESSION	14..	539 976989....	2....	HAIRPIN
4..	539 118762....	2....	SPRING	15..	539 113621....	2....	BOLT $\frac{3}{8}$ -16 x $\frac{3}{8}$ SKT HD
5..	510 207201....	2....	GRIP, HANDLE BLK	16..	532 175994....	2....	NUT, LIFT LINK
6..	510 422901....	2....	ROD, HANDLE RELEASE	17..	539 976978....	2....	NUT $\frac{1}{4}$ -20 HEX NYLOC
7..	516 008801....	2....	ROD, LATCH RELEASE	18..	510 184901....	4....	NUT, PLASTIC
8..	532 195185....	2....	ARM, SUSPENSION RR	19..	539 112899....	2....	NUT $\frac{5}{16}$ -18 HEX FLG NYLOC
9..	525 847201....	2....	LINK, REAR SUSPENSION	20..	539 976982....	2....	WASHER $\frac{5}{8}$ SAE FLT
10..	510 207301....	2....	BUTTON, PUSH BLK	21..	539 990598....	4....	WASHER $\frac{1}{4}$ FLT
11..	522 858601....	2....	BRACKET, LIFT				

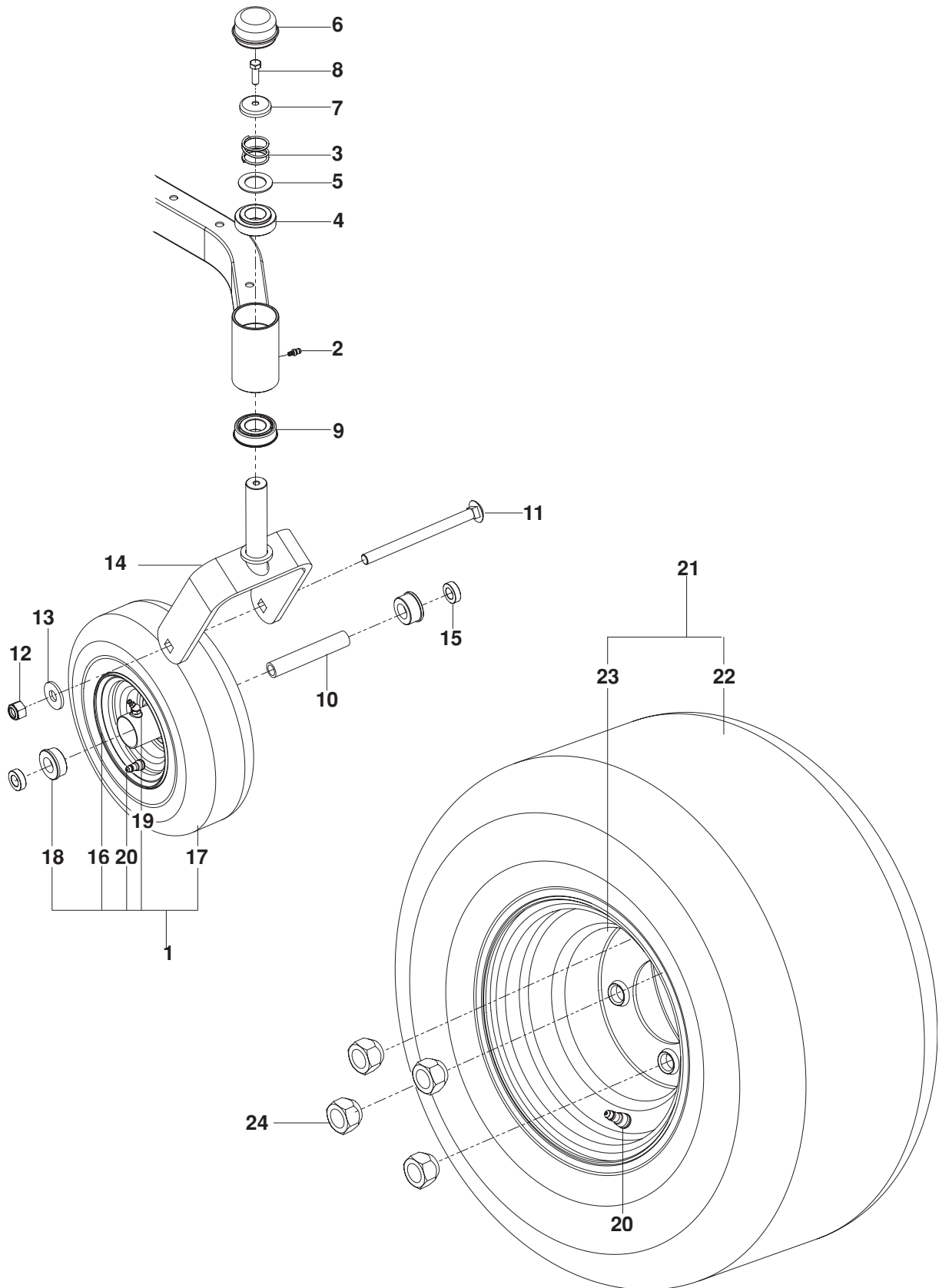
HYDRAULIC PUMP / MOTOR



HYDRAULIC PUMP / MOTOR

ITEM	PART NO.	QTY.	DESCRIPTION	ITEM	PART NO.	QTY.	DESCRIPTION
1..	510 375601....	1....	EZT, LT	19..	510 185102....	2....	MOUNT, EZT RR BLK
2..	510 375602....	1....	EZT, RT	20..	539 990637....	4....	HCS $\frac{3}{8}$ -16 x 2 $\frac{1}{2}$
3..	574 030501....	1....	ROD, EZT BRAKE LT	21..	539 101721....	4....	HCS $\frac{5}{16}$ -18 x 2 $\frac{3}{4}$
4..	574 030502....	1....	ROD, EZT BRAKE RT	22..	539 990209....	2....	HCS $\frac{5}{16}$ -18 x 1
5..	539 110411....	1....	BELT, EZT	23..	539 976934....	2....	HCS $\frac{5}{16}$ -18 x $\frac{3}{4}$
6..	522 945001....	2....	ROD, MOTION CONTROL	24..	539 976938....	2....	HCS $\frac{5}{16}$ -18 x 2 $\frac{1}{4}$
7..	539 115729....	2....	ROD END RT	25..	539 108535....	1....	SCREW 10-24 x $\frac{3}{4}$ SLTD RD
8..	539 116690....	2....	ROD END MALE LT	26..	539 990717..	10....	NUT $\frac{5}{16}$ -18 HEX NYLOC
9..	539 116689....	2....	COUPLER, ROD END	27..	539 115617....	2....	NUT $\frac{5}{16}$ -18 NYLOC INSERT
10..	539 110342....	2....	SPRING, BRAKE ROD	28..	539 990223....	4....	NUT $\frac{5}{16}$ -24 HEX
11..	539 976988....	2....	HAIRPIN, COTTER	29..	539 991073....	1....	NUT $\frac{5}{16}$ -24 HEX JAM LH
12..	539 120080....	2....	COG, BRAKE DISC	30..	539 976977....	1....	NUT 10-24 HEX NYLOC
13..	539 120079....	2....	BRAKE ARM KIT	31..	539 976978....	2....	NUT $\frac{1}{4}$ -20 HEX NYLOC
14..	575 507001....	2....	HUB KIT	32..	539 990055....	4....	WASHER $\frac{1}{4}$ SAE FLT
15..	522 941101....	2....	LINK ARM, BYPASS	33..	539 990188..	18....	WASHER $\frac{5}{16}$ SAE FLT
16..	539 120785....	2....	BLADE, FAN	34..	539 990118....	4....	WASHER $\frac{3}{8}$ SPLT LCK
17..	510 184101....	2....	SPACER TUBE	35..	539 990122....	8....	WASHER $\frac{3}{8}$ SAE FLT
18..	522 460702....	2....	SUPPORT, EZT FRT				

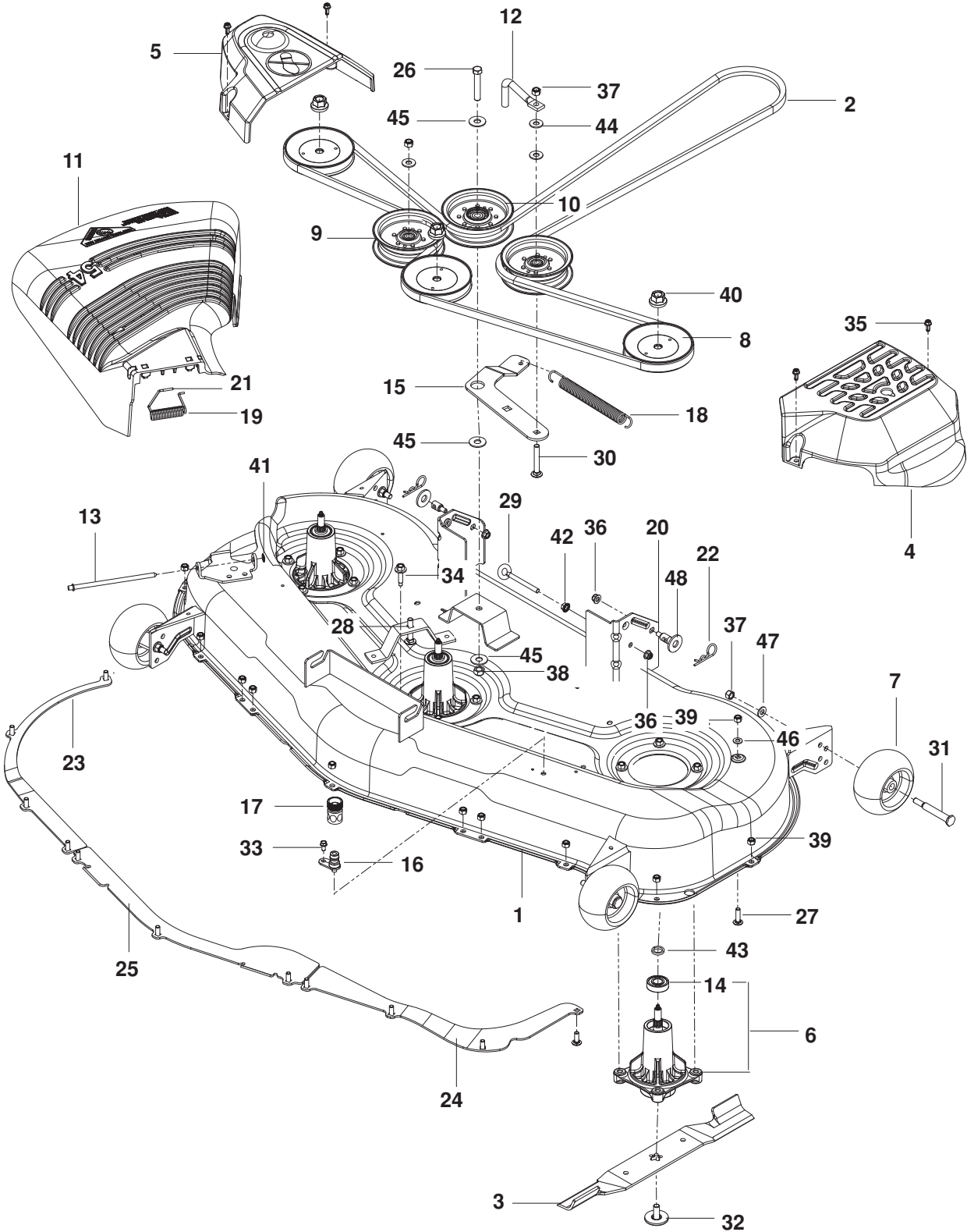
WHEELS AND TIRES



WHEELS AND TIRES

ITEM	PART NO.	QTY.	DESCRIPTION	ITEM	PART NO.	QTY.	DESCRIPTION
1..	516 001901....	2....	CASTER TIRE ASSY	13..	539 109554....	2....	WASHER ½ FLT
2..	539 115638....	2....	ZERK ³/₁₆ DRIVE	14..	510 186502....	2....	YOKE ORG
3..	539 115747....	2....	SPRING, CASTER	15..	539 114805....	4....	SPACER ⁵/₁₆
4..	539 117901....	2....	BUSHING, CASTER	16..	539 106994....	2....	RIM
5..	539 115675....	2....	WASHER	17..	539 114697....	2....	CASTER TIRE, 410-5 4 PLY
6..	539 102535....	2....	GREASE CAP	18..	576 617801....	4....	BEARING, FLANGED
7..	539 115749....	2....	PLUG, CASTER	19..	539 103300....	2....	ZERK
8..	539 115566....	2....	BOLT, HEX ⁵/₁₆-18 x 1 NYLOC	20..	539 912234....	4....	VALVE STEM
9..	539 112660....	2....	BEARING, FLANGED	21..	539 130820....	2....	WHEEL ASSY, REAR 18 x 9.5
10..	539 105543....	2....	SPACER	22..	539 130822....	2....	TIRE 18 x 9.5 TURF
11..	539 121159....	2....	RHSNB ½-13 x 6½	23..	539 112217....	2....	RIM 8 x 7 w/ .8" OFFSET
12..	539 200100....	2....	NUT ½-13 HEX CNTRLK	24..	539 101173....	8....	NUT ½ LUG

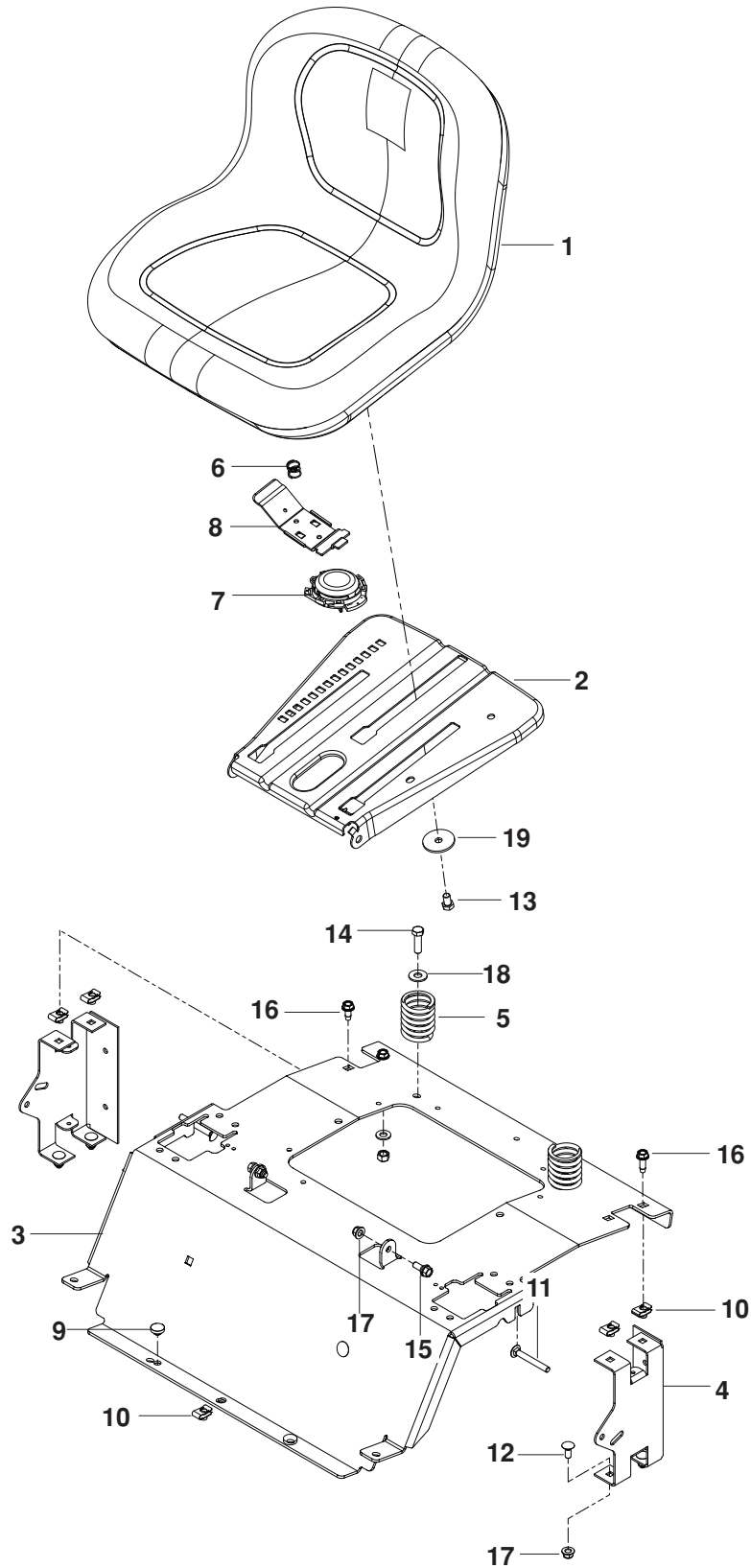
MOWER DECK / CUTTING DECK



MOWER DECK / CUTTING DECK

ITEM	PART NO.	QTY.	DESCRIPTION	ITEM	PART NO.	QTY.	DESCRIPTION
1..	522 744401....	1....	DECK w/ SAFETY DECALS	25..	539 112062....	1....	BAFFLE, CNTR
2..	539 114557....	1....	V-BELT	26..	539 104870....	1....	HCS $\frac{7}{16}$ -14 x 2 $\frac{1}{2}$
3..	532 187256....	3....	BLADE, BAGGING	27..	539 990316..	12....	RHSNB $\frac{5}{16}$ -18 x $\frac{3}{4}$
4..	532 187297....	1....	BELT SHIELD, LT	28..	539 100145....	1....	RHSNB $\frac{3}{8}$ -16 x 2
5..	532 188187....	1....	BELT SHIELD, RT	29..	539 115574....	1....	EYE BOLT $\frac{5}{16}$ x 3 $\frac{1}{2}$
6..	539 112057....	3....	HOUSING, CUTTER	30..	539 128101....	1....	BOLT $\frac{3}{8}$ -16 x 2 $\frac{1}{4}$ CARRIAGE
7..	539 107610....	5....	WHEEL, GAUGE	31..	539 107608....	4....	BOLT $\frac{1}{2}$ x 2 $\frac{5}{8}$ SHOULDER
8..	539 112171....	3....	PULLEY	32..	539 107522....	3....	BOLT WASHER ASSY
9..	532 196106....	2....	PULLEY, IDLER	33..	539 108461....	1....	BOLT $\frac{1}{4}$ -20 x $\frac{1}{2}$ HWST
10..	532 196104....	1....	PULLEY, IDLER	34..	539 107630..	12....	SCREW $\frac{5}{16}$ -18 x WSHR HD
11..	539 112054....	1....	DEFLECTOR	35..	539 107631....	4....	SCREW $\frac{1}{4}$ -20 x $\frac{5}{8}$ THDROLL
12..	522 629701....	1....	KEEPER, BELT	36..	539 112899....	3....	NUT $\frac{5}{16}$ -18 HEX FLG NYLOC
13..	539 110462....	1....	ROD, HINGE	37..	539 976979....	6....	NUT $\frac{3}{8}$ -16 HEX NYLOC
14..	539 112050....	1....	BEARING	38..	539 119124....	1....	NUT $\frac{7}{16}$ -14 HEX NYLOC
15..	510 220002....	1....	ARM, IDLER	39..	539 990717..	12....	NUT $\frac{5}{16}$ -18 HEX NYLOC
16..	532 415598....	1....	PORT, WASHOUT	40..	539 107590....	3....	NUT $\frac{9}{16}$ TOP CNTRLK
17..	532 416405....	1....	COUPLING, CONNECT	41..	539 107626....	1....	PUSHNUT
18..	539 120920....	1....	SPRING, DECK BELT	42..	539 990585....	1....	NUT $\frac{5}{16}$ -18 HEX WHIZLK
19..	539 107609....	1....	SPRING, TORSION	43..	532 187690....	3....	WASHER/SPACER
20..	532 195161....	2....	STUD w/ ANTI-ROTATE	44..	539 990517....	3....	WASHER $\frac{3}{8}$ STD FLT
21..	539 107627....	1....	CAP, SLEEVE	45..	539 104864....	3....	WASHER $\frac{7}{16}$ FLT
22..	539 976989....	2....	HAIRPIN #4	46..	539 990188....	1....	WASHER $\frac{5}{16}$ SAE FLT
23..	539 112059....	1....	BAFFLE, RT	47..	539 990122....	4....	WASHER $\frac{3}{8}$ SAE FLT
24..	539 112060....	1....	BAFFLE, LT	48..	539 109554....	2....	WASHER $\frac{1}{2}$ FLT

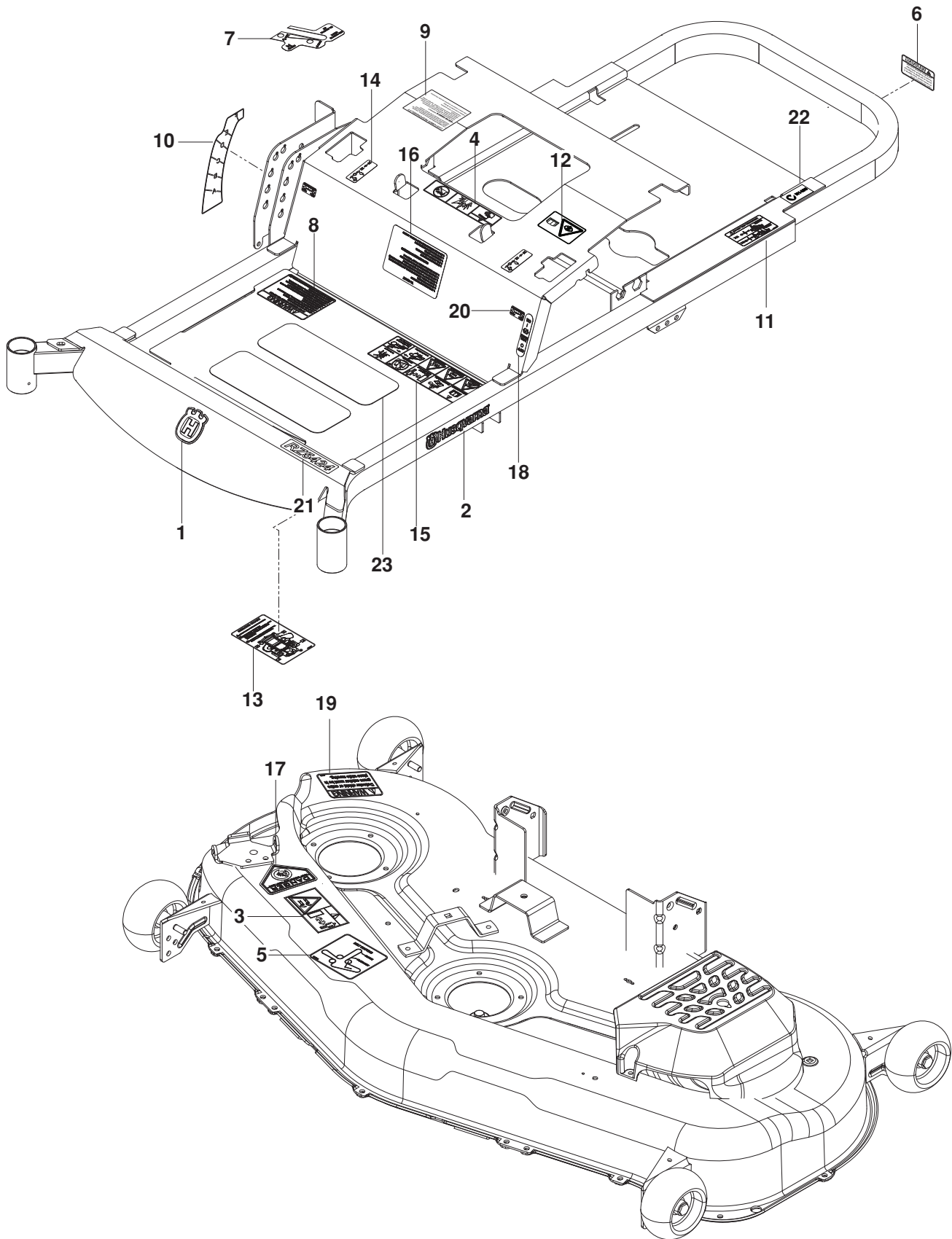
SEAT



SEAT

ITEM	PART NO.	QTY.	DESCRIPTION	ITEM	PART NO.	QTY.	DESCRIPTION
1..	532 424068....	1....	SEAT	11..	510 422701....	2....	RHSNB $\frac{5}{16}$ -18 x 2 $\frac{1}{2}$
2..	532 196977....	1....	SEAT PAN	12..	539 990316....	4....	RHSNB $\frac{5}{16}$ -18 x $\frac{3}{4}$
3..	577 260503....	1....	SUPPORT, SEAT ORG	13..	539 108503....	1....	HCS $\frac{3}{8}$ -16 x $\frac{5}{8}$
4..	574 522702....	2....	SUPPORT, SEAT RR BLK	14..	539 976941....	2....	HCS $\frac{3}{8}$ -16 x 1 $\frac{1}{4}$
5..	539 110300....	2....	SPRING, SEAT	15..	539 110303....	2....	BOLT $\frac{5}{16}$ SHOULDER
6..	532 198200....	1....	SPRING, LATCH SEAT	16..	539 107475....	4....	BOLT $\frac{5}{16}$ -18 x $\frac{3}{4}$ THD FRM
7..	539 132140....	1....	SWITCH, SEAT	17..	539 112899....	6....	NUT $\frac{5}{16}$ -18 HEX FLG NYLOC
8..	532 197661....	1....	HANDLE, SLIDE, SEAT	18..	539 990517....	2....	WASHER $\frac{3}{8}$ STD FLT
9..	539 102587....	2....	GROMMET, BUMPER	19..	539 111897....	1....	WASHER $\frac{3}{8}$ SPECIAL
10..	539 104763....	5....	RETAINER, U TYPE				

DECALS



DECALS

ITEM	PART NO.	QTY.	DESCRIPTION	ITEM	PART NO.	QTY.	DESCRIPTION
1..	532 428676....	1....	DECAL, CROWN	13..	539 109897....	1....	DECAL, SERVICE
2..	532 429196....	2....	DECAL, HUSQVARNA	14..	539 103333....	2....	DECAL, MOTION CONTROL
3..	539 105746....	1....	DECAL, SEVERING	15..	539 109908....	1....	DECAL, SAFETY WARNING
4..	539 105745....	1....	DECAL, BATTERY WARNING	16..	539 113213....	1....	DECAL, SAFETY
5..	539 112620....	1....	DECAL, BELT ROUTING	17..	539 913010....	1....	DECAL, BLADES
6..	539 101881....	2....	DECAL, EXHAUST	18..	539 120006....	1....	DECAL, PARK BRAKE
7..	576 916702....	1....	DECAL, CONTROLS	19..	539 113224....	1....	DECAL, DISCHARGE
8..	539 108179....	1....	DECAL, START	20..	539 110974....	2....	DECAL, TRACKING
9..	539 110522....	1....	DECAL, RESPONSIBILITIES	21..	521 949313....	1....	DECAL, RZ5424
10..	521 980501....	1....	DECAL, HEIGHT	22..	539 110279....	1....	DECAL, ECM
11..	539 108385....	1....	DECAL, DO NOT TOW	23..	539 977778....	2....	ABRASIVE PAD
12..	539 108386....	1....	DECAL, EXIT				

